

8. PDP Panel Control Units

8-1 IGBT

■ Overview

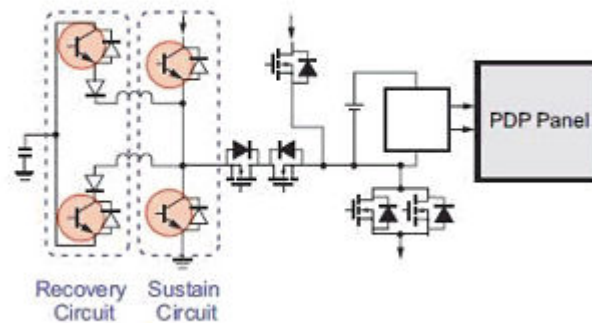
IGBTs for driving PDPs that respond to the high-speed switching characteristics and low loss characteristics demands that accompany reduced power consumption and higher video quality. We have achieved the ideal IGBTs for driving PDPs by taking full advantage of the IGBT characteristic of lower power loss in the high current region compared to power MOS FETs.

■ Product Information

形名	V_{CES} (V)	I_C (A)	I_{CP} (A)	$V_{CE(sat)}$ (max, V)	t_f (typ, ns)	パッケージ
▲ DG3C301	330	40	250	1.4	115	TO-220C-G2
▲ DG3C302	330	45	250	1.3	240	TO-220C-G2

▲ : Under development

■ Applications



■ Image Sample



TO-220C-G2

■ Points on Appeal (Features)

- Can control high currents.
- Heat generation during circuit operation is minimized through high-speed switching and low $V_{CE(sat)}$ characteristics.

